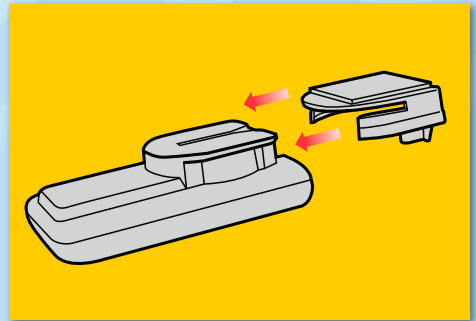


# INSTALLING your E-way<sup>®</sup> Tag



Your tag may vary from those pictured below.

**1** **ESSENTIAL:** In order for your tag to operate, you must, fit the tag into the provided bracket. Your tag will now be active.



**2** Clean the windscreen where the tag is to be located with the wipe provided and allow to dry. Then peel away the backing from the adhesive tape on the bracket.

**3** Attach your tag to the windscreen:

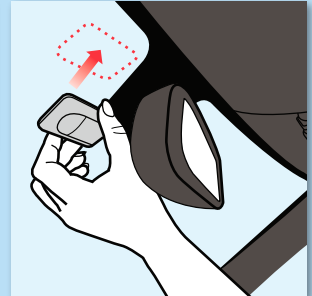
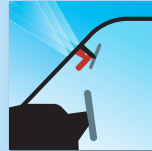
## SLOPED WINDSCREENS

Attach your tag to the windscreen behind the rear vision mirror (red dotted area).

If there is any metal such as external sun visors or over hanging ladders, attach your tag further down the windscreen.

Press onto the windscreen and hold for one minute.

The tag should not obstruct the driver's vision.



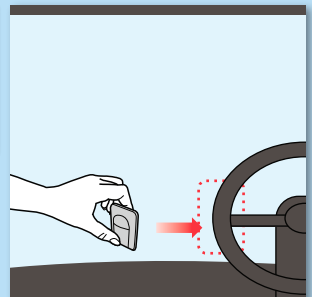
**OR**

## VERTICAL WINDSCREENS

Attach your tag to the bottom of the windscreen in the middle (red dotted area).

If there is any metal such as stone guards etc. attach your tag further up the windscreen to ensure clear detection by our readers.

Press onto the windscreen and hold for one minute.



The correct location of your tag is important to ensure optimum performance.

Tags should **NEVER** be handheld, attached to the dash or left in the glove box.

Should you experience installation difficulties,  
please contact our Customer Service Call Centre on 1300 555 833.